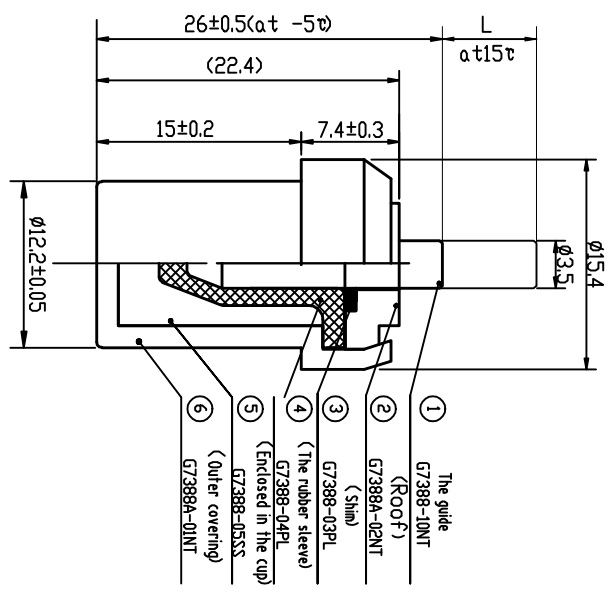
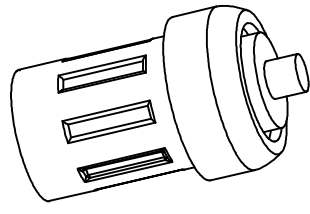


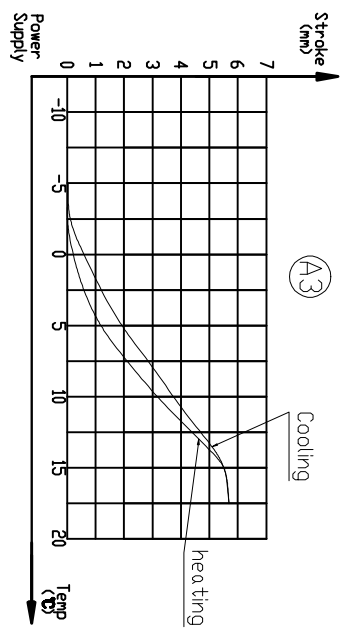
REV.	DESCRIPTION	REVISION	DATE	DRAWN	APPROVED
A1	The stroke changed from 7.0±0.5 to 5.5±0.5 (at Temp from -5°C to 15°C)		05/08/2018	Allen	Luo
A2	Testing load changed from 85N to 55N		05/08/2018	Allen	Luo
A3	The conductive performance chart has been updated		05/08/2018	Allen	Luo



→ Performance requirements:

- 1.1, Maximum working Temperature: 60°C
- 1.2, The stroke from -5°C to 15°C : $L=5.5 \pm 0.5 \text{ mm}$ (A1)
- 1.3, Maximum load: $P=14.0\text{N}$
- 1.4, Minimum load: $P=4.5\text{N}$
- 1.5, Testing Load: $P=55\text{N}$ (A2)

→ The conductive performance chart:



UNLESS OTHERWISE SPECIFIED		NAME	DATE
DIMENSIONS ARE IN MILLIMETER		Allen	05/08/2018
TOLERANCES:		CHECKED	05/08/2018
Basic Size	f6	6-30	120-180
Finish	h12	403	405
Temperature	100	102	103
Material	T2	INDUSTRIAL ENG.	
Comments:	Thermostatic sensor element		
Scale:	1:1	Weight:	
Size Dwg. No.	LG043X	Rev	A
DO NOT SCALE DRAWING		SHEET 1 OF 1	